



PRESSURE ACTUATED SWITCHES



Medium: Air

Inlet Pressure: 5 to 150 psig; 0.3 to 10.3 bar

Pilot Port: #10-32, 1/8" NPT, M5

Mounting: External thread and nut for panel, bracket, or bulkhead mounting,
5/8 - 32 pressure actuated
#15/32-32 manually operated

Accuracy: Actuation and deactuation pressures listed are nominal values. Each has a tolerance of $\pm 12\%$ or 1 psig whichever is greater



SAS Sub-Miniature Air Switch

MAS Miniature Air Switch

Design Series

Switch Current Rating:

SAS

A 5A @ 125/250 VAC

3A @ 30 VDC/.1A 60 VDC

X no switch

MAS

B 3A @ 125/250 VAC

3A @ 30 VDC

C 10A @ 125/250 VAC

5A @ 50 VDC

X no switch

Switch Terminals:

SAS: 0 no switch

1 110 series Q.C.

MAS: 0 no switch

2 187 series Q.C.

3 screw terminals

Actuation Pressure*

06 6 psig/0.4 bar

20 20 psig/1.4 bar

40 41 psig/ 2.8 bar

65 65 psig/4.5 bar

MN Manual

Deactuation Pressure*

06 5 psig/0.3 bar

20 18 psig/1.2 bar

40 36 psig/2.5 bar

65 58 psig/ 4.0 bar

MN Manual

Inlet Port:

Blank #10-32 thd

F 1/8" NPT female

P 1/8" NPT male

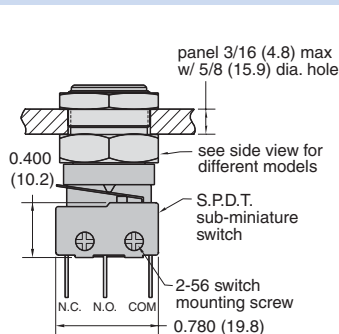
M5 M5 x 0.8 thd

*Nominal value +/- 12% or 1psig, whichever is greater when used with Clippard switches

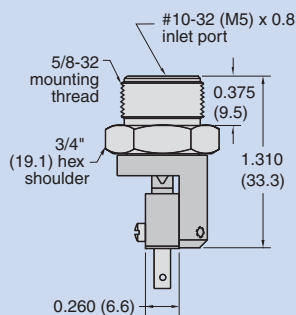
Pressure Actuated

Mechanically Actuated

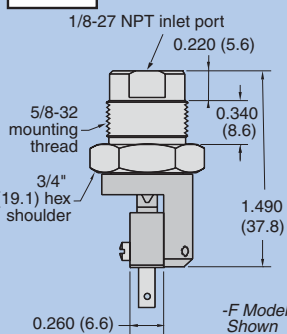
SAS Model



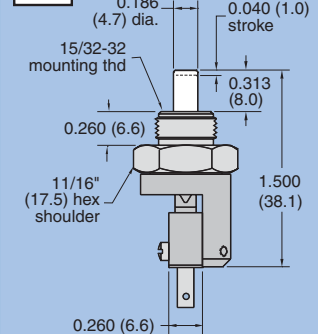
STD. & -M5



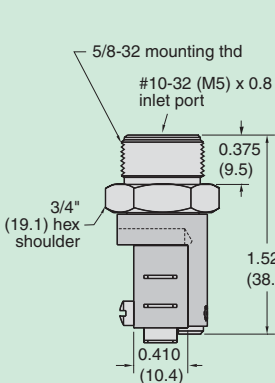
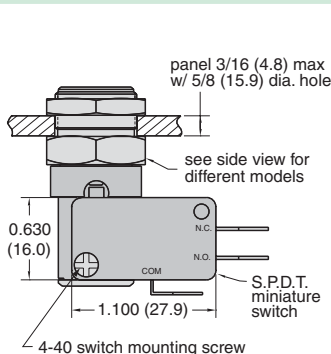
-F & -P



-MN



MAS Model



-F & -P

